



IF6P024WM05

IT070R240Z

IK53F024ZM03

IF5T024ZM05

IF5M024XM05

IF3P024XS30-1

IT120G024Z

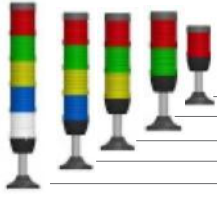
IT120Y024

IKML110Y

# Signalling Devices

## IK Series

Light Towers can be purchased as complete or modular. Mounting system is easy with plug and turn system without any mounting equipment.



### COMPLETE LIGHT TOWER Dia 50 mm ( with 100 mm Aluminium connection, body and Lamps)

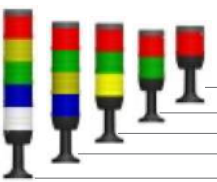
Code	Illumination	Buzzer
IK51L * XM03	LED	-
IK52L * XM03	LED	-
IK53L * XM03	LED	-
IK54L * XM03	LED	-
IK55L * XM03	LED	-

Code	Illumination	Buzzer
IK51F * XM03	with Flashing LED	-
IK52F * XM03	with Flashing LED	-
IK53F * XM03	with Flashing LED	-
IK54F * XM03	with Flashing LED	-
IK55F * XM03	with Flashing LED	-



Code	Illumination	Buzzer
IK50X * ZM03	-	90 dB
IK51L * ZM03	LED	90 dB
IK52L * ZM03	LED	90 dB
IK53L * ZM03	LED	90 dB
IK54L * ZM03	LED	90 dB

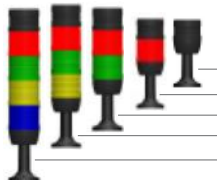
Code	Illumination	Buzzer
IK50X * ZM03	-	90 dB
IK51F * ZM03	with Flashing LED	90 dB
IK52F * ZM03	with Flashing LED	90 dB
IK53F * ZM03	with Flashing LED	90 dB
IK54F * ZM03	with Flashing LED	90 dB



### COMPLETE LIGHT TOWER Dia 70 mm (100 mm Plastic connection, body and Lamps)

Code	Illumination	Buzzer
IK71L * XM01	LED	-
IK72L * XM01	LED	-
IK73L * XM01	LED	-
IK74L * XM01	LED	-
IK75L * XM01	LED	-

Code	Illumination	Buzzer
IK71F * XM01	with Flashing LED	-
IK72F * XM01	with Flashing LED	-
IK73F * XM01	with Flashing LED	-
IK74F * XM01	with Flashing LED	-
IK75F * XM01	with Flashing LED	-



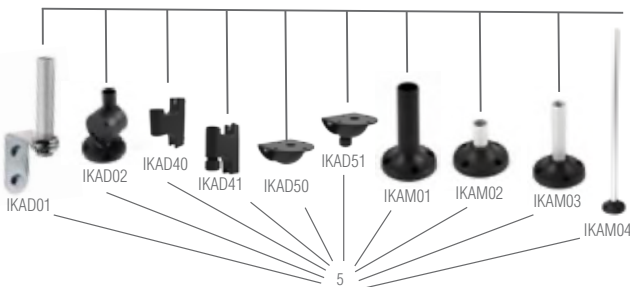
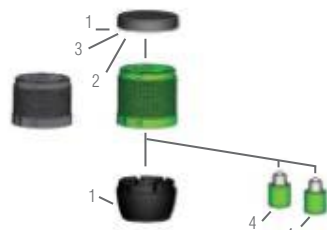
Code	Illumination	Buzzer
IK70X * ZM01	-	90 dB
IK71L * ZM01	LED	90 dB
IK72L * ZM01	LED	90 dB
IK73L * ZM01	LED	90 dB
IK74L * ZM01	LED	90 dB

Code	Illumination	Buzzer
IK70X * ZM01	-	90 dB
IK71F * ZM01	with Flashing LED	90 dB
IK72F * ZM01	with Flashing LED	90 dB
IK73F * ZM01	with Flashing LED	90 dB
IK74F * ZM01	with Flashing LED	90 dB

\* Shows the voltage of the LED. When it is written "024", it means that it is 24V AC/DC, when written "220" it is 220VAC, "110" it is 110V AC For IP65 please add E letter to the end of the code. (Excluding buzzer versions)

#### Each Light Tower consists of below components.

1. Body and Cover
2. Signal Modules (5 Colour)
3. Buzzer module
4. LED, Flashing LED
5. Connection



## MODULES

### 1-Body and Cover

IKM5G Dia 50 mm

\* Maximum up to 5 modules can be mounted



### 1-Body and Cover

IKM7G Dia 70mm

\* Maximum up to 5 modules can be mounted



### 2- Signal Modules

IKM5\* 50 mm

Heat resistant polycarbonate material (\*) (B)(K)(Y)(S)(M)



### 2- Signal Modules

IKM7\* 70 mm

Heat resistant polycarbonate material (\*) (B)(K)(Y)(S)(M)



### 3- Buzzer Modules

IKM5Z024

50 mm / 90 dB

IKM5Z110

50 mm / 90 dB

IKM5Z220

50 mm / 90 dB



### 3- Buzzer Modules

IKM7Z024

70 mm / 90 dB

IKM7Z110

70 mm / 90 dB

IKM7Z220

70 mm / 90 dB



IKML024K



IKML110Y



IKML220M



IKMF024S

### 4- Lamps

Nominal Voltage	with LED	Colour
24V AC/DC	IKML024*	(B)(K)(Y)(S)(M)
110V AC	IKML110*	(B)(K)(Y)(S)(M)
220V AC	IKML220*	(B)(K)(Y)(S)(M)

Nominal Voltage	with Flashing LED	Colour
24V AC/DC	IKMF024*	(B)(K)(Y)(S)(M)
110V AC	IKMF110*	(B)(K)(Y)(S)(M)
220V AC	IKMF220*	(B)(K)(Y)(S)(M)

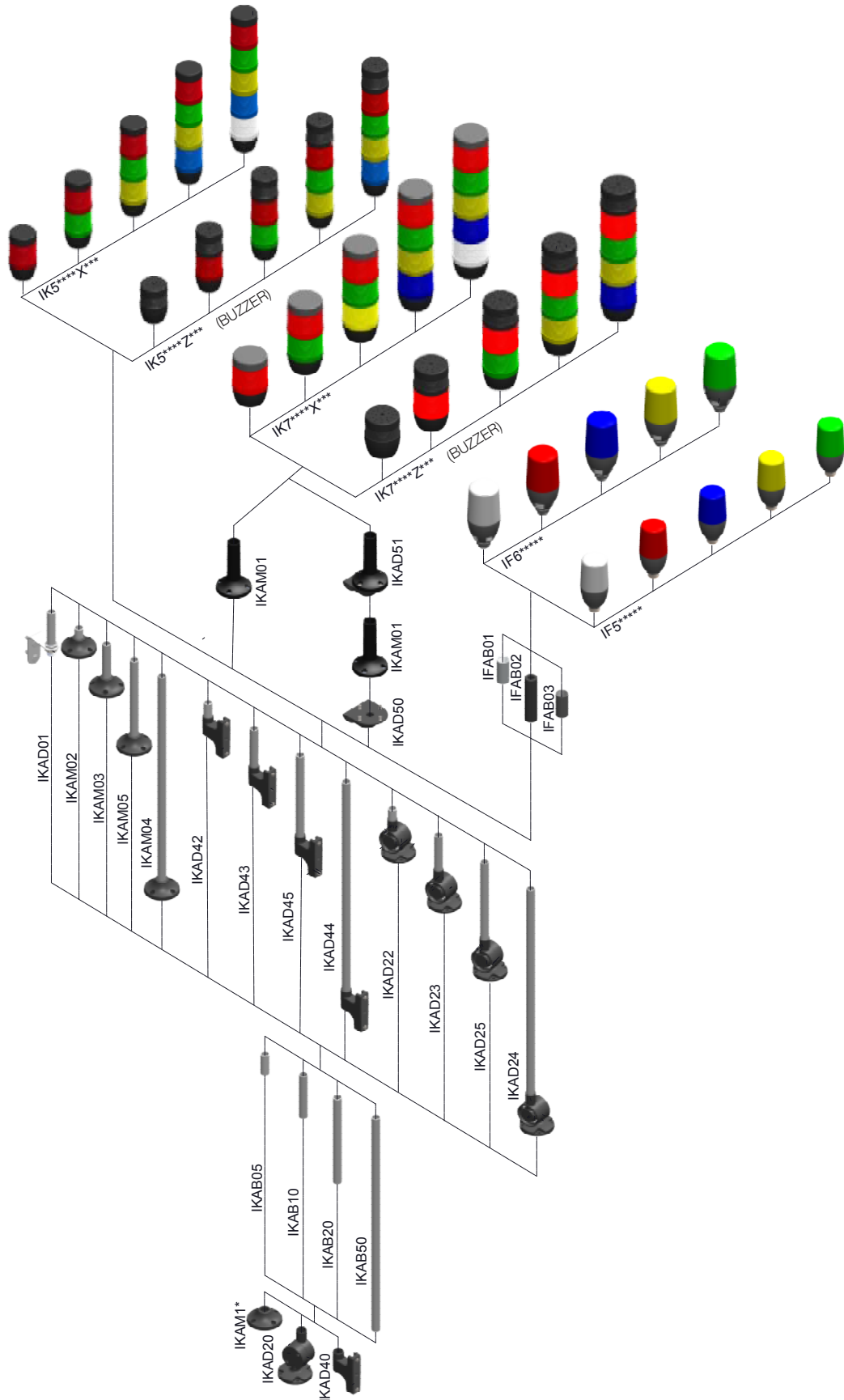
Please choose the color instead of (\*) i.e. IKML024Y

Note. One lamp should be added for each Signal module.

### 5- Mounting Options IP 65

Code	Features
IKAM01	100 mm Plastic base (Standard for Dia.70 mm, not applicable for Dia 50)
IKAM02	20 mm Aluminium base
IKAM03	100 mm Aluminium base (Standard for Dia 50 mm)
IKAM04	500 mm Aluminium base
IKAD01	Wall Connection, 100 mm Aluminium tube
IKAD02	Adjustable wall elbow
IKAD40	Wall connection - Side Entry
IKAD41	Wall connection - Bottom Entry ( with cable gland )
IKAD50	Wall connection with base - Side Entry
IKAD51	Wall connection with base - Bottom Entry ( with cable gland )
IKAB10	100mm Aluminium Tube

## IF IK General Mounting



## IF Series Multi Colour Beacons with Ø 22 mm connection, IP65

### IF Series

- Single body, multi colour
- Ø22 mm Connection
- Flashing and normal LED mode available in same module.
- 90 dB Buzzer



Code	Illumination	Features	Nominal Voltage	Box/Pcs
IF3P024OS30-1	LED	Without Buzzer, Diamond Shape, 5 Colours, for PNP Application	24V DC	1
IF3N024OS30-1	LED	Without Buzzer, Diamond Shape, 5 Colours, for NPN Application	24V DC	1
IF3P024MS30-1	LED	Without Buzzer, Round Shape, 5 Colours, for PNP Application	24V DC	1
IF3N024MS30-1	LED	Without Buzzer, Round Shape, 5 Colours, for NPN Application	24V DC	1
IF5*024XM05	LED	Single Colour	24V AC/DC	1
IF5*024XMR05	LED	Single Colour , Rotational	24V AC/DC	1
IF5*024ZM05	LED	Single Colour , With Buzzer	24V AC/DC	1
IF5*024ZRM05	LED	Single Colour , With Buzzer, Rotational	24V AC/DC	1
IF5*220XM05	LED	Single Colour	220V AC	1
IF5*220XMR05	LED	Single Colour , Rotational	220V AC	1
IF5*220ZM05	LED	Single Colour , With Buzzer	220V AC	1
IF5*220ZRM05	LED	Single Colour , With Buzzer, Rotational	220V AC	1
IF5M012XM05	LED	5 Colours	12V AC/DC	1
IF5M012ZM05	LED	5 Colours, With Buzzer	12V AC/DC	1
IF5M024XM05	LED	5 Colours	24V AC/DC	1
IF5M024ZM05	LED	5 Colours, With Buzzer	24V AC/DC	1
IF5M110XM05	LED	5 Colours	110V AC	1
IF5M110ZM05	LED	5 Colours, With Buzzer	110V AC	1
IF5M220XM05	LED	5 Colours	220V AC	1
IF5M220ZM05	LED	5 Colours, With Buzzer	220V AC	1
IF5P024XM05	LED	Single Module 5 Colours, for PNP application	24V AC/DC	1
IF5P024ZM05	LED	Single Module 5 Colours, for PNP application, with Buzzer	24V AC/DC	1
IF5N024XM05	LED	Single Module 5 Colours, for NPN application	24V DC	1
IF5N024ZM05	LED	Single Module 5 Colours for NPN application, with Buzzer	24V DC	1
IF5T024XM05	LED	3 Layers in Single Body, 3 Colours , PLC Harmonized	24V DC	1
IF5T024ZM05	LED	3 Layers in Single Body, 3 Colours , PLC Harmonized+with Buzzer	24V DC	1
IF6P024WM05	LED	PLC Harmonized, 5 Colours, with Self-Adjusted Buzzer**	24V DC	1
IFAB01		Pipe Adaptation Part, Silver		1
IFAB03		Pipe Adaptation Part, Black		1
IKAD03		Adjustable wall support, with tube, (usable with IFAB's)		1
IKAM02		20 mm aluminium with base (usable with IFAB01)		1

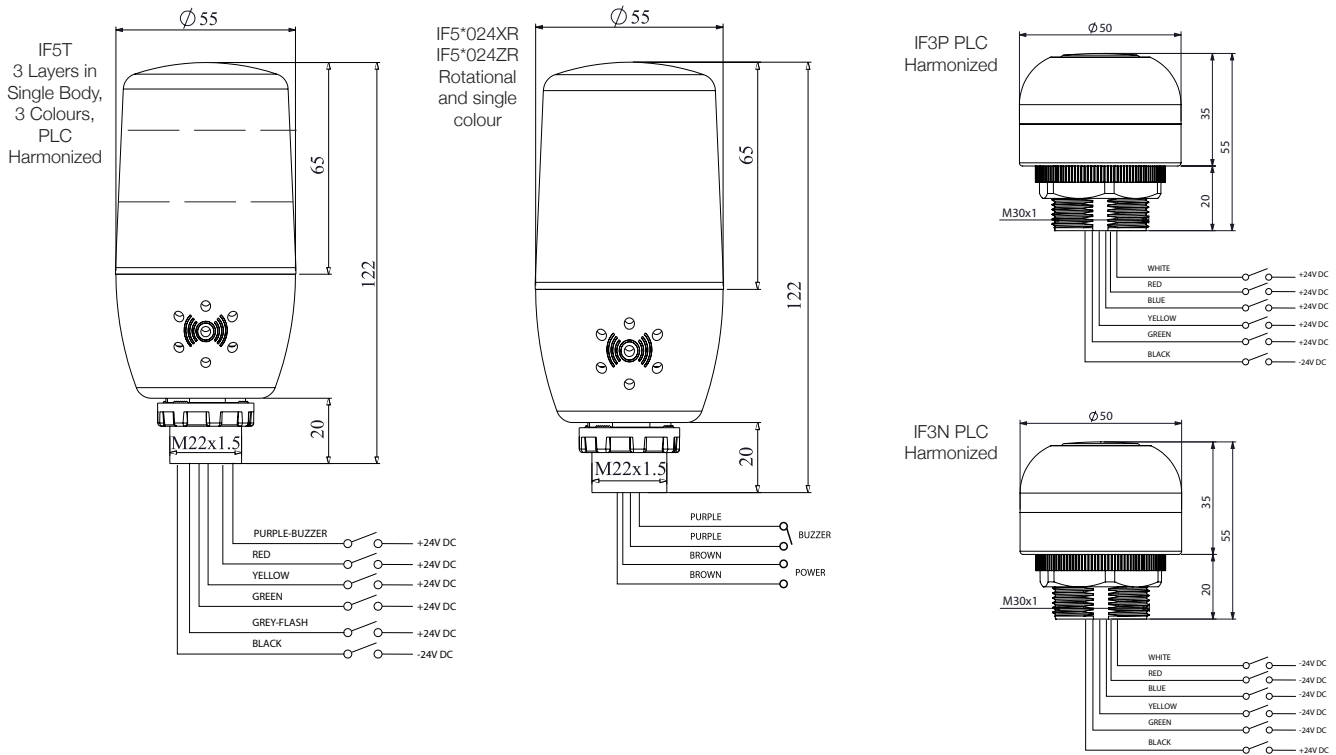
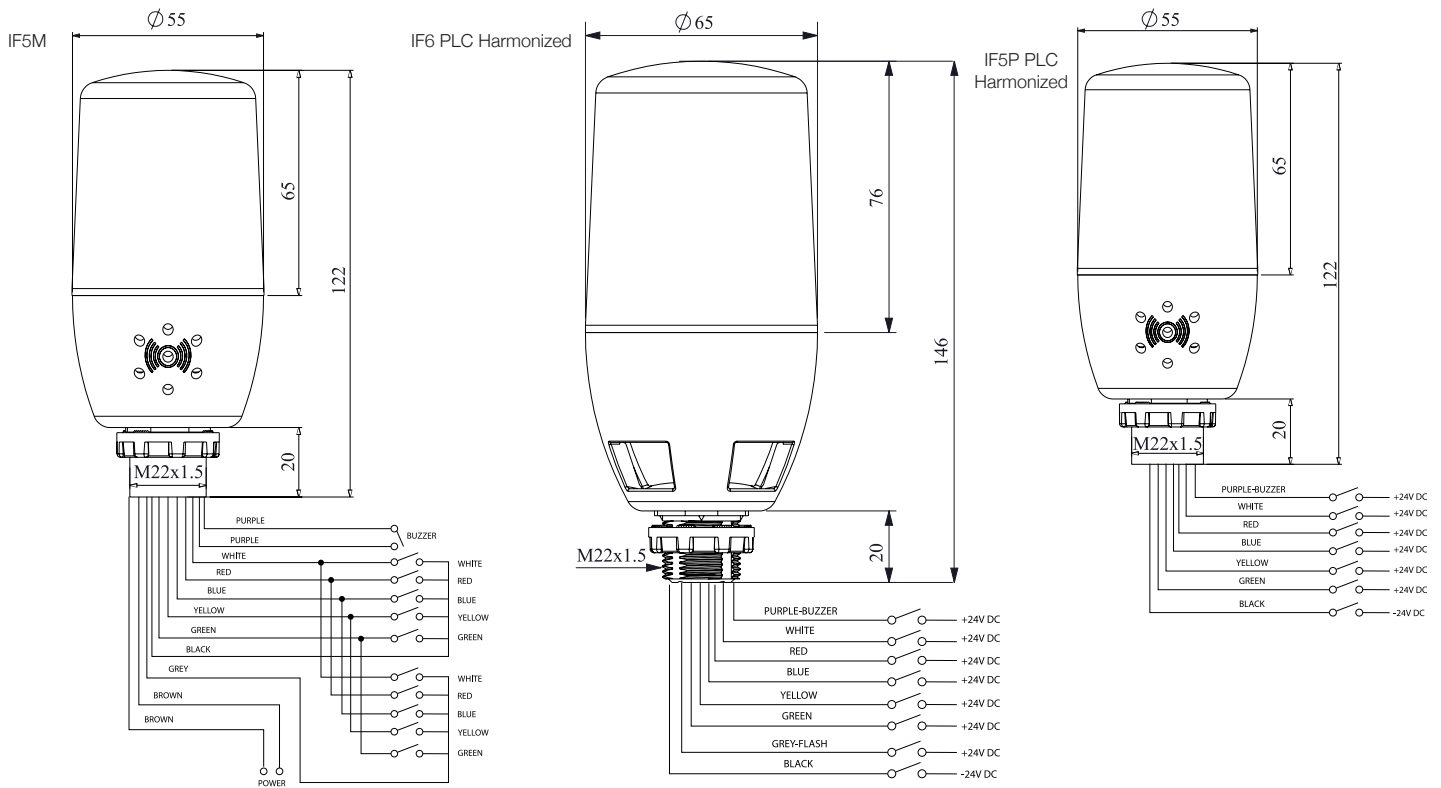
Note: For base options, please choose metal bases from page 63. Should be used with IFAB01 or IFAB03.

\* Single Colour

\*\* If the environment noise is less than 80dB the beacon will sound at 90dB. If the environment noise is greater than 80dB the beacon automatically changes the sound to 105dB.

R G Y B W R: Red, G: Green, Y: Yellow, B: Blue, W: White

## IF Series Multi Colour Beacons with $\varnothing 22$ mm Connection, IP65

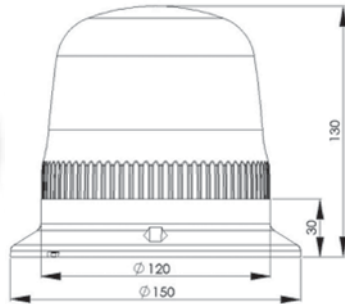




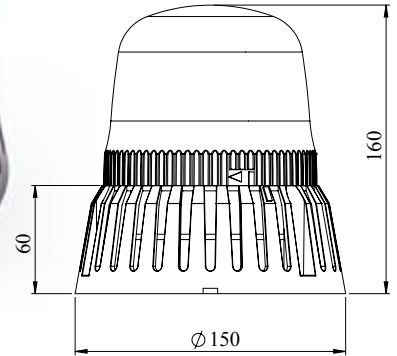
## IT Series, IP65



IT120R024



IT120R024Z



### Beacon

#### General Specification;

- Fireproof plastic body
- Polycarbonate lens
- Base and wall-mount
- Unaffected by water, dust, heat and UV.
- Wear-free due to the absence of moving components
- Long life
- Melody and Silent mode. (for Buzzer models)
- 7 LED modes
- IP 65 rating

#### Technical Specification;

- Operating Voltage: 12-24V AC/DC, 48-110- 220V AC,
- Current consumption: 3,4W (at 24 V DC by rotating mode)
- Operating temperature: -20 / +50 C°
- Storage temperature: -20 / +70 C°
- 105dB Buzzer

### Modes

- Rotation 100 RPM :
- Rotation 160 RPM :
- Single Blink
- 3 Blink
- 6 Blink
- Right-Left Blink
- Blinker



IT070R024Z

Code	Light	Colour		Voltage	Box/Pcs
IT070R024Z	Led	R	With Buzzer	12-24V AC/DC	1
IT070R240Z	Led	R	With Buzzer	48-240V AC/DC	1
IT070Y024Z	Led	Y	With Buzzer	12-24V AC/DC	1
IT070Y240Z	Led	Y	With Buzzer	48-240V AC/DC	1
IT070G024Z	Led	G	With Buzzer	12-24V AC/DC	1
IT070G240Z	Led	G	With Buzzer	48-240V AC/DC	1
IT120R024	Led	R		12-24V AC/DC	1
IT120R024Z	Led	R	With Buzzer	12-24V AC/DC	1
IT120R048	Led	R		48V AC	1
IT120R220	Led	R		110-220V AC	1
IT120R220Z	Led	R	With Buzzer	110-220V AC	1
IT120Y024	Led	Y		12-24V AC/DC	1
IT120Y024Z	Led	Y	With Buzzer	12-24V AC/DC	1
IT120Y048	Led	Y		48V AC	1
IT120Y220	Led	Y		110-220V AC	1
IT120Y220Z	Led	Y	With Buzzer	110-220V AC	1
IT120G024	Led	G		12-24V AC/DC	1
IT120G024Z	Led	G	With Buzzer	12-24V AC/DC	1
IT120G048	Led	G		48V AC	1
IT120G220	Led	G		110-220V AC	1
IT120G220Z	Led	G	With Buzzer	110-220V	1

Note: Please add "C" letter at the end of the code in order to have buzzer as optional for \*IT070 type beacons.